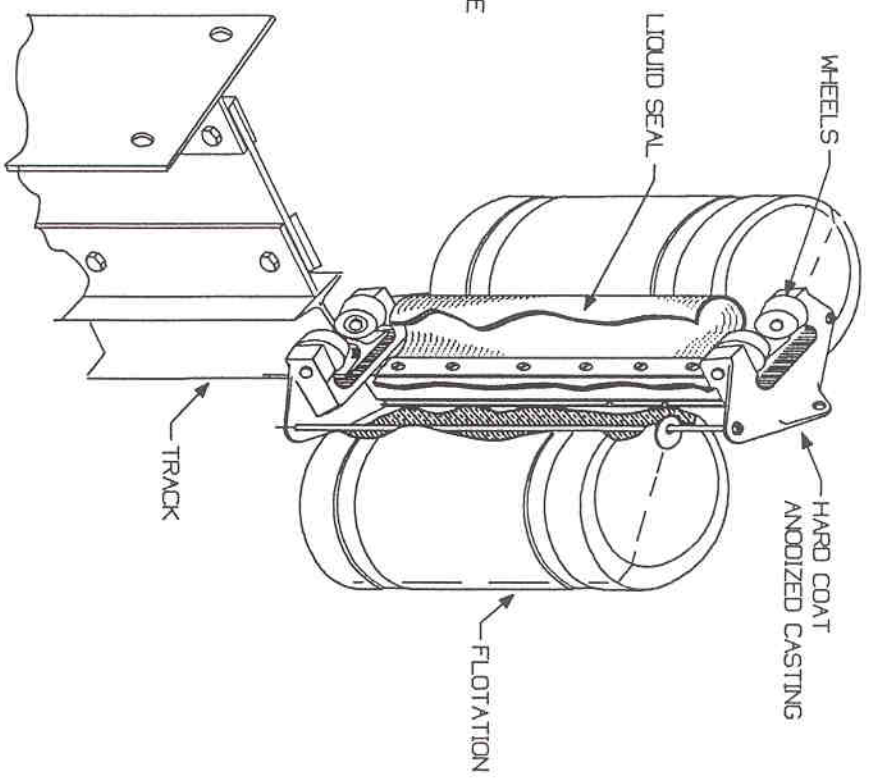


- NOTES:**
1. ALL DIMENSIONS & NOTATIONS TYP.
 2. USE 5/8" LAG BOLTS OR SUITABLE FASTENERS TO SECURE TO WALL OR PILING.
 3. HOT DIP GALVANIZE ALL STEEL PARTS BEFORE FINAL ASSY. ALL HDWR TO BE STAINLESS STEEL OR ZINC PLATED.



 SLICKBAR PRODUCTS CORPORATION		18 Beach Street Saymour, Ct. 06483 Tel. (203) 888-7700	
FLEX B.R. TRACK ILLUSTRATION			
SCALE	1/8	DESIGN BY	J. J. S.
DATE	6/5/96	APPROVED BY	
			DRAWING NUMBER 33B5128