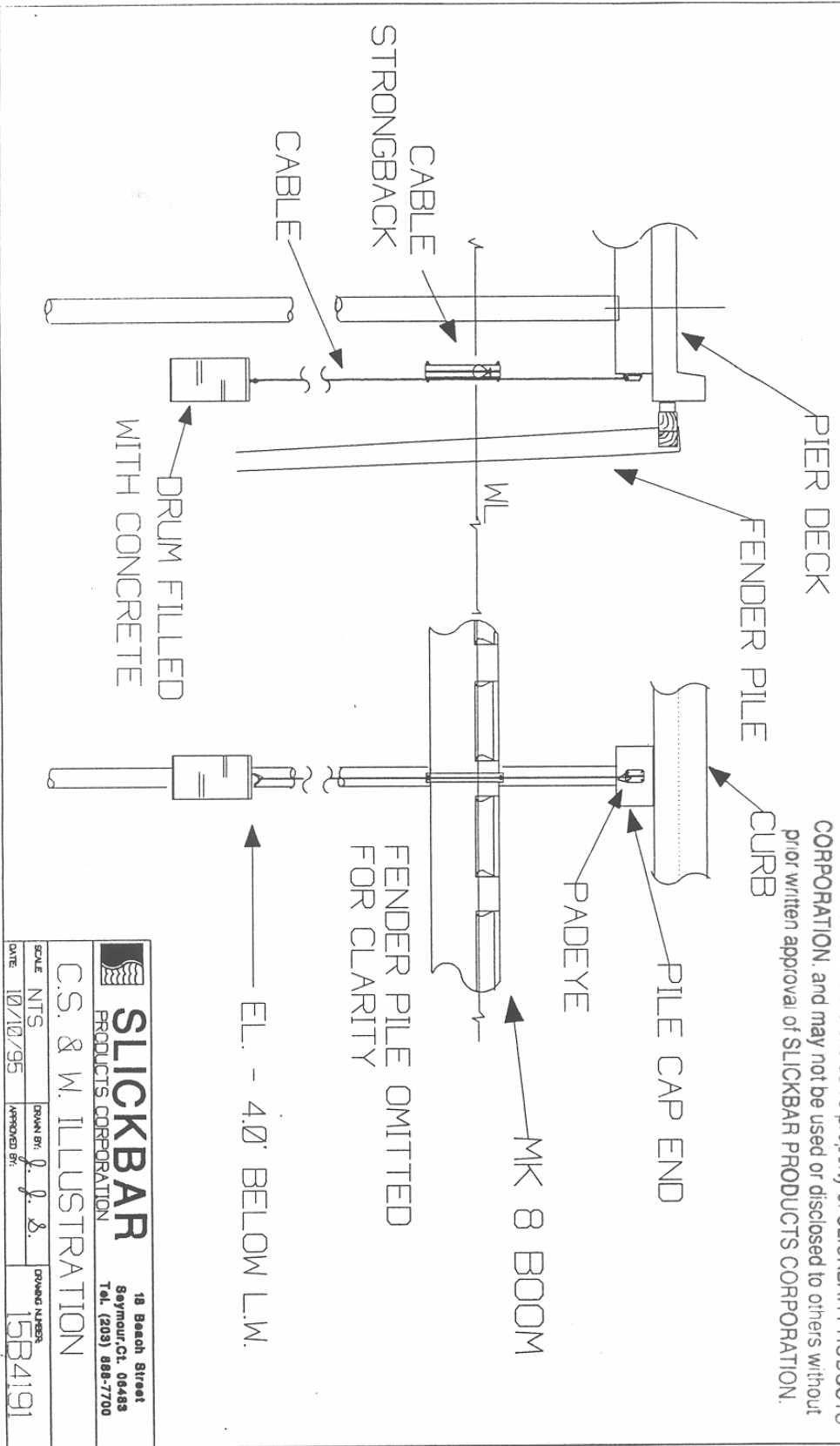


CONFIDENTIAL

This document reflects trade secrets, proprietary information, inventions and know-how which are the exclusive property of SLICKBAR PRODUCTS CORPORATION, and may not be used or disclosed to others without prior written approval of SLICKBAR PRODUCTS CORPORATION.



	SLICKBAR PRODUCTS CORPORATION	18 Beach Street Seymour, Ct. 06488 Tel. (203) 888-7700
C.S. & W. ILLUSTRATION		
SCALE: NTS	DRAWN BY: J.S.	DESIGNED BY: J.S.
DATE: 10/10/95	APPROVED BY:	15B24191