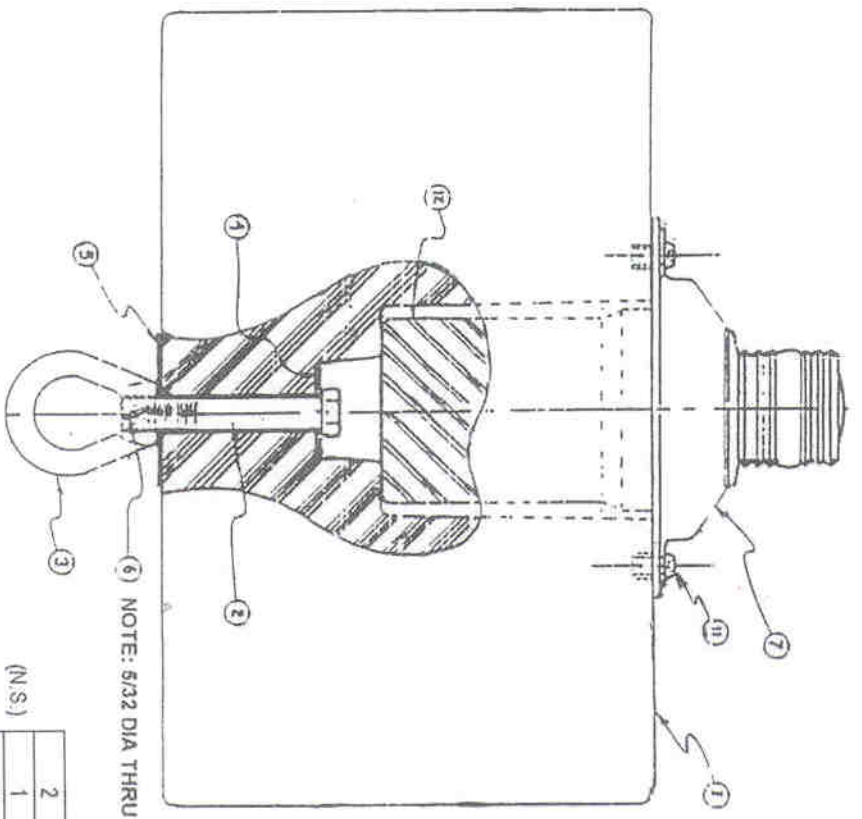


DATE	SYM	REVISION RECORD	AUTH	DR	CM



NOTE: 5/32 DIA THRU AFTER ASSY FOR COTTER PIN

(N.S.)
 (N.S.)
 (AMBER LENS)

QUANTITY	UNIT	ITEM	PART NO.	DESCRIPTION
2		11		1/4 20X 5/8" ROUND HEAD SECURITY SCREW - S.S.
1		10	B-219-10	THEFT PROOF WRENCH
1		9	B-219-1C	THEFT PROOF COLLAR (POLYAN)
1		8		BATTERY - 6V LANTERN - (EVEREADY OR EQUIV.)
1		7	562-C-14	LIGHT ASSY-MECH 60 F.P.M. GUEST - (KELLOG MARINE)
1		6		1/8" COTTER PIN - S.S.
1		5		BLACK POLY WASHER 3/4" I.D. X 3" O.D. X 1/8" THICK
1		4		STL. WASHER GALV. 15/16" I.D. X 2" O.D. X 3/32" THICK
1		3		5/8" EYE NUT - GALV.
1		2		5/8" - 11 X 4" GALV. BOLT
1		1	15D3401	FLOAT (FOAM FILLED) CW (2) 1/4 - 20 THRD. INSERTS

PARTS LIST

CONFIDENTIAL

This document reflects trade secrets, proprietary information, inventions and know-how which are the exclusive property of SLICKBAR PRODUCTS CORPORATION, and may not be used or disclosed to others without prior written approval of SLICKBAR PRODUCTS CORPORATION.



SLICKBAR PRODUCTS CORP.
 18 Beach Street
 Seymour, CT 06483

LIGHTED ANCHOR BUOY ASSY

SCALE	DRAWN BY	DRAWING NUMBER
DATE 3/21/95	J.J.S.	15D3445
APPROVED BY		