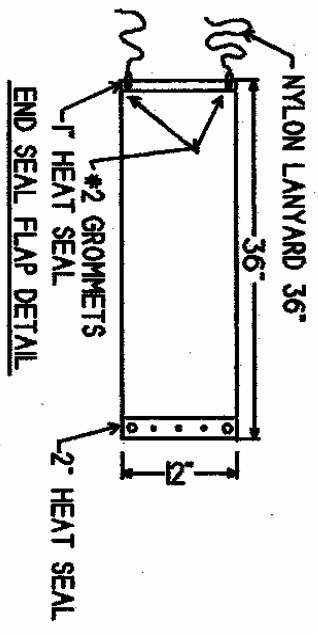
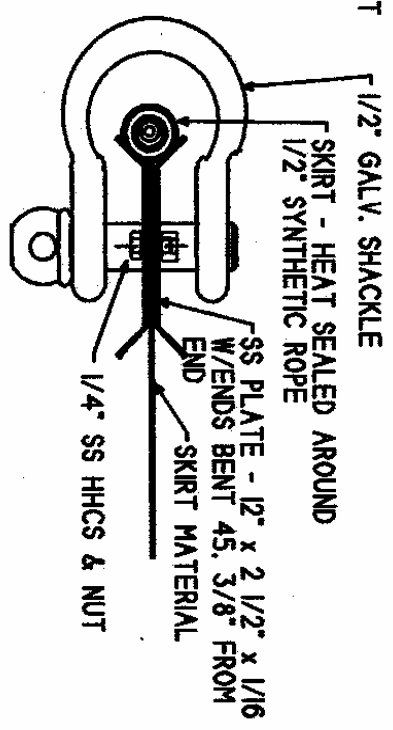


SHORE TERMINATION DETAIL



END SEAL FLAP DETAIL



H.S. END CONNECTOR DETAIL (TOP VIEW)

NTS



SLICKBAR
18 Beach Street
Seymour, Ct. 06483
Tel. (203) 888-7700

MK 7-1 END DETAIL

SCALE: NONE	DRAWN BY: <i>pac</i>	DRAWING NUMBER: 20A3941A
DATE: FEB 9 1994	APPROVED BY: <i>gjr</i>	