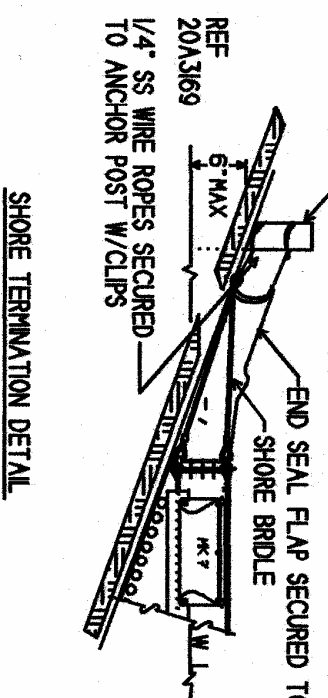
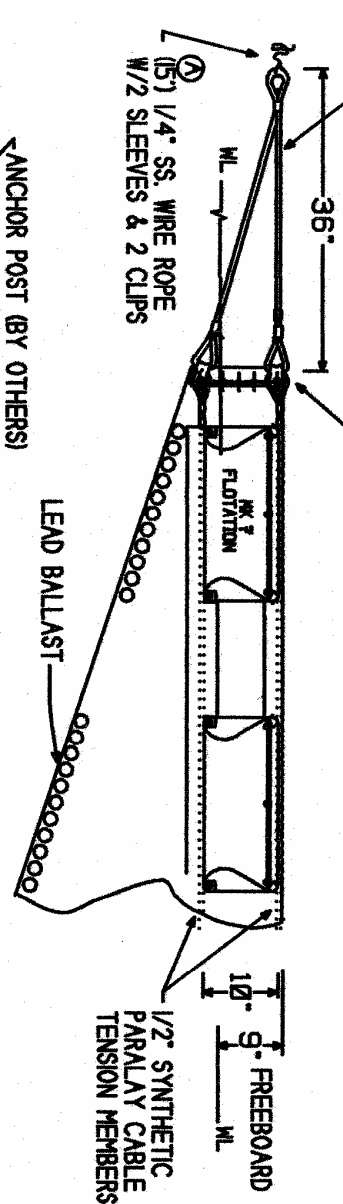


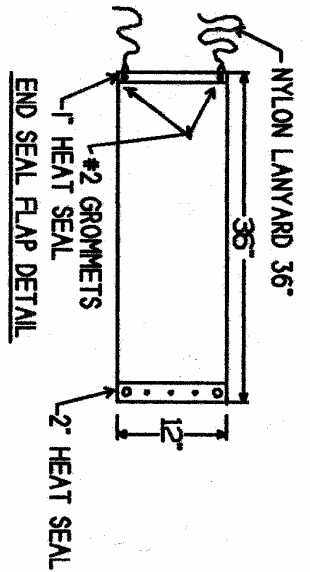
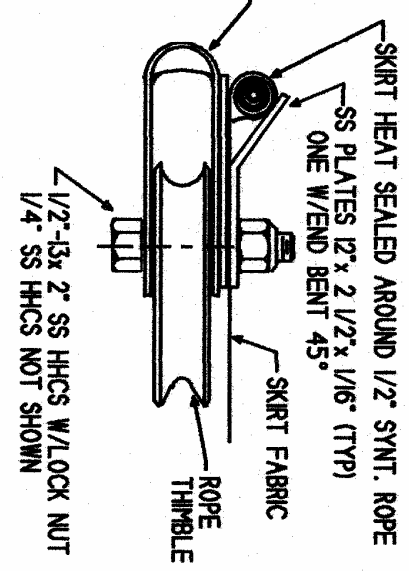
SHORE BRIDLE
 (SYNTHETIC PARALAY CABLE)
 W/5 SLEEVES & 1 THIMBLE

END CONNECTOR, 12" ROPE TANGS, THIMBLES,
 (3) 1/4" HHCS, (2) 1/2" HHCS, & SLEEVES ON
 TENSION MEMBERS




SHORE TERMINATION DETAIL

H.S. END CONNECTOR DETAIL (TOP VIEW)



END SEAL FLAP DETAIL

 SLICKBAR		18 Beach Street Seymour, Ct. 06483 Tel. (203) 888-7700	
MK 7 - 2 END DETAIL			
SCALE	NTS	DRAWN BY:	<i>JJR</i>
DATE	DEC. 1, 1993	APPROVED BY:	<i>JJR</i>
		DRAWING NUMBER:	20A3940A

A	CHGD WIRE ROPE TO 15' LONG FROM 60'	11/26/95
---	-------------------------------------	----------