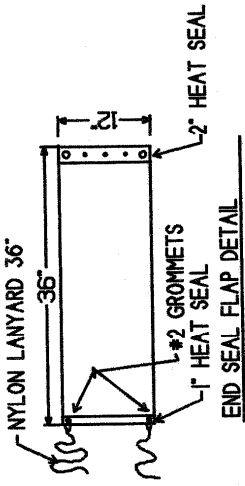
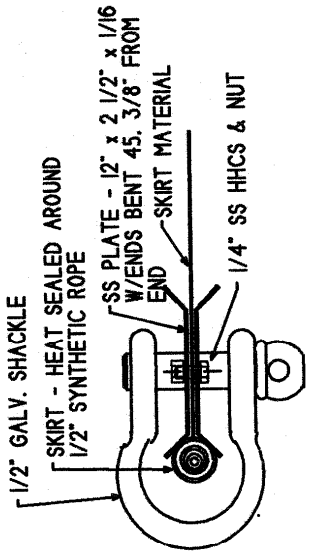
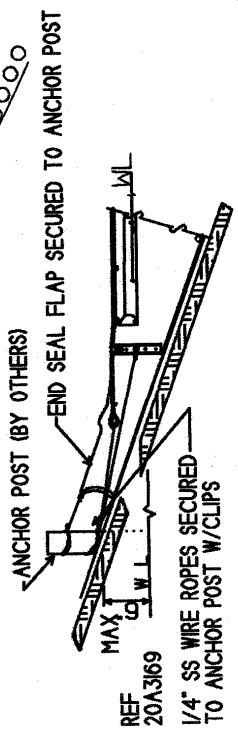
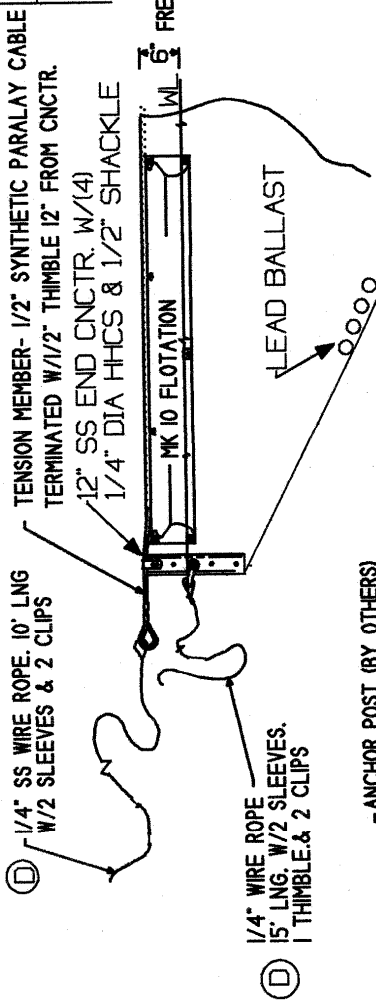


D CHGD WIRE ROPE TO 15' 11/95



**SLICKBAR**  
PRODUCTS CORPORATION

18 Beach Street  
Seymour, Ct. 06483  
Tel. (203) 888-7700

SCALE NONE

DATE 8/15/94

DRAWN BY: *JAC*

APPROVED BY: *ESJ*

20A3191D

MK 10-1 END DETAIL